

cable grippers inc.

MGR-SE-HOOK-LG

Applications

Lighting Products, Mechanical, & HVAC

Features

Cable exits out the side of gripper. Hook attached.

Material

Brass, with steel Ball Bearings

Finish

Bright Nickle Plated

Cable Dimension

Accepts aircraft cable diameter in inches:

- 3/64"
- 1/16"

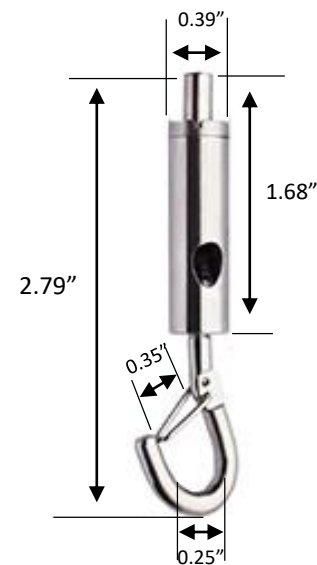
Safe Working Load at 5:1 Safety Factor

Specifications (US pounds) for 7x7 galvanized cable

- 3/64" Cable: 25lbs
- 1/16" Cable: 31lbs

Main Cable Adjustment

Relieve load from cable, press plunger, and adjust cable height. Release plunger and gripper locks the cable.



Dimensions [inches]

Tool-less Adjustment

Proprietary Notice

This document and any other data disclosed herein is the sole property of Cable Grippers, Inc and may not be reproduced, used or disclosed in part or in whole, to anyone without written consent of Cable Gripper, Inc