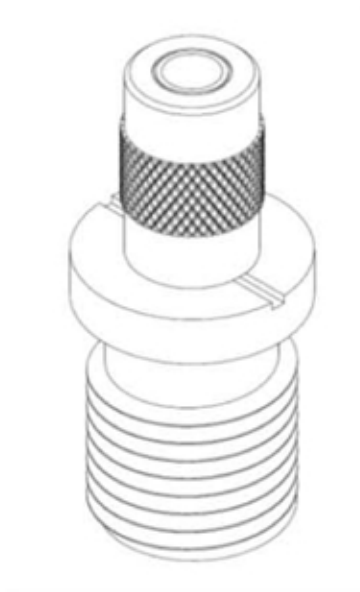
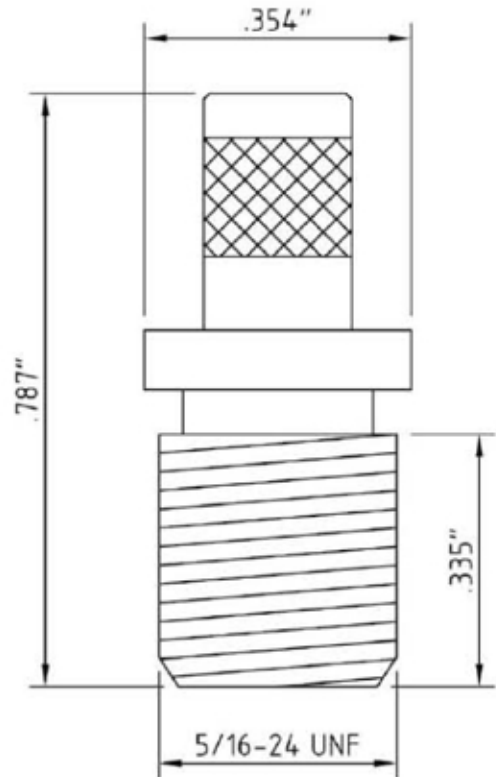


MICRO-GR-SN

USE 3/64" (1.19 mm) CABLE



cablE grippers inc.

6647 Schuster Street, Las Vegas, NV 89118
 phone: 702.869.0755, Fax: 702.543.2305
 Web: www.cablegrippers.com
 E-mail: sales@cablegrippers.com

All drawings and written materials appearing herein constitute original and unpublished work of Cable Grippers, Inc. and may not be duplicated or reproduced without their written consent.....Copyright Cable Grippers Inc.

		PART DESCRIPTION: MICRO GRIPPER, 5/16-24	
DATE: 05/26/2009	SIZE: A	PART #: MICRO-GR-SN	REV: 01
MATERIAL: NICKEL PLATED BRASS			
DIMENSIONS ARE IN INCHES	SCALE: N/A	SHEET 1 OF 1	