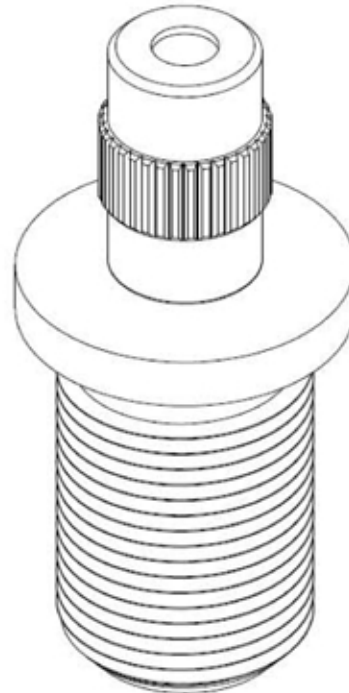
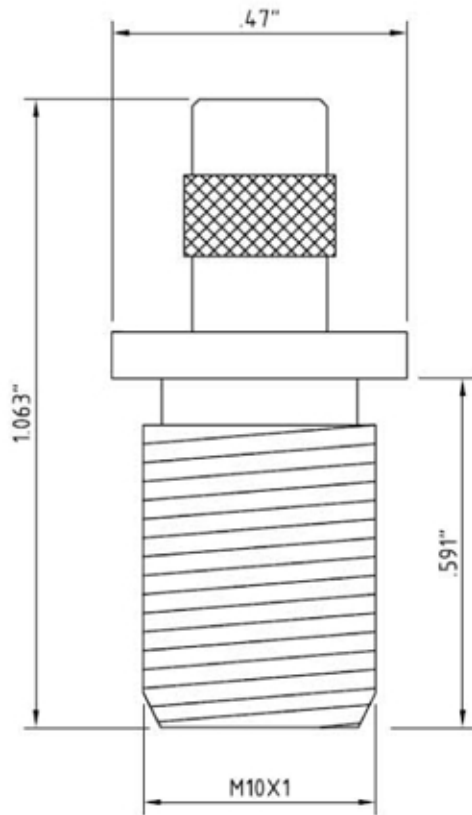


# MGR-M10 MM

USE 3/64" (1.19 mm) or  
1/16" (1.59 mm) CABLE



**cable grippers inc.**

6647 Schuster Street, Las Vegas, NV 89118  
phone: 702.869.0755, Fax: 702.543.2305  
Web: www.cablegrippers.com  
E-mail: sales@cablegrippers.com

All drawings and written materials appearing herein constitute original and unpublished work of Cable Grippers, Inc. and may not be duplicated or reproduced without their written consent....Copyright Cable Grippers Inc.

		PART DESCRIPTION: MINI GRIPPER, M10	
DATE: 06/26/2009	SIZE: A	PART #: MGR-M10 MM	REV: 01
MATERIAL: NICKEL PLATED BRASS	SCALE: N/A		SHEET 1 OF 1
DIMENSIONS ARE IN INCHES			