

# cable grippers inc.

6647 Schuster Street, Las Vegas, NV 89118  
phone: 702.869.0755, Fax: 702.543.2305  
Web: www.cablegrippers.com  
E-mail: sales@cablegrippers.com

CGI P/N:

MGR-1/16-LP

Revision:

Vendor Ref #:

Customer:

Customer P/N:

## MINI LOOPING GRIPPER

Patent #D629,803S

### Applications

Lighting Products, Mechanical, & HVAC

### Features

Looping Gripper securely locks aircraft cable in a loop, & allows for quick tool-less adjustment

### Material

Brass, with Steel Ball Bearings

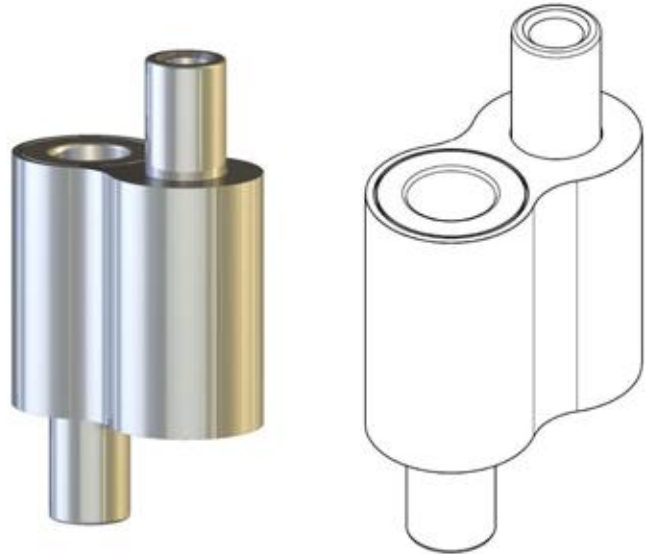
### Finish

Bright Nickel Plated

### Cable Dimension

Accepts aircraft cable diameter in inches:

1/16"     3/64"

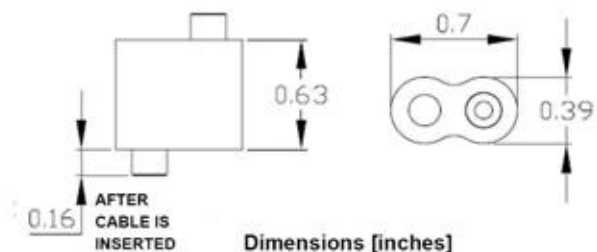


### Safe Working Load at 5:1 Safety Factor

Specifications (US pounds) for 7x7 galvanized cable

1/16" Cable: 67 lbs.

3/64" Cable: 40 lbs.

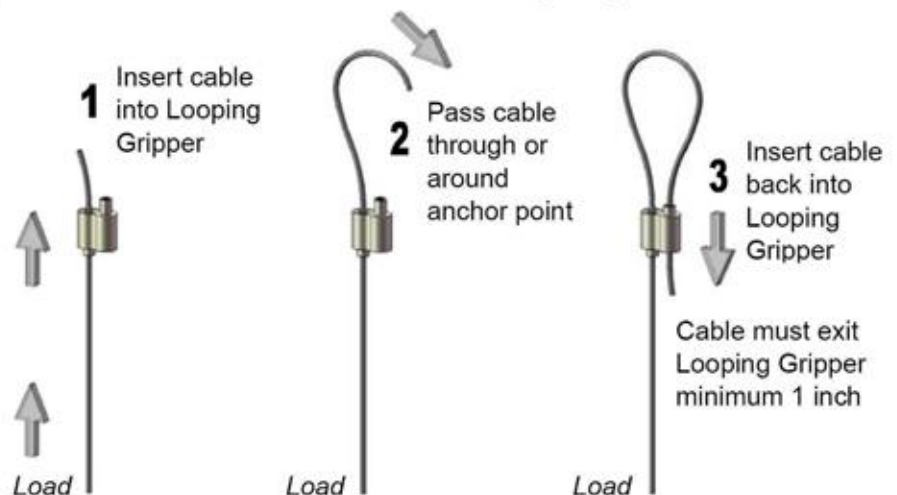


### Cable Adjustment

Relieve load from cable, press plunger, & adjust cable height. Release plunger and Looping Gripper locks the cable.

### Installation Notes

Looping Gripper must maintain a minimum 2 inch distance from all suspended objects / support structures.



### Proprietary Notice

This document and any other data disclosed herein is the sole property of Cable Grippers, Inc. and may not be reproduced, used or disclosed in part or in whole, to anyone without written consent of Cable Grippers, Inc.